

# DTCS210

## Thermodynamic Disc Trap



Bestobell's DTCS210 is a 1/2" 316L stainless steel thermodynamic disc trap, that is compact with a lightweight design and Tri-Clamp® end connections.

This non-sanitary trap is constructed of stainless steel which offers better corrosion resistance than other thermodynamic disc traps. It meets the requirements of quick response applications in the steam system. Condensate entry below the disc, concentric to the disc/seat ensures a clean parallel lift of the disc with reference to the seat, eliminating localized wear and tear.

The DTCS210 is ideal for fluctuating loads and pressures. It is virtually maintenance free with a one year replacement warranty.



3170 Wasson Road • Cincinnati, Ohio 45209 USA  
Phone 513-533-5600 • Fax 513-871-0105  
Toll-Free Phone: 800-543-7311  
E-Mail: [steam@richardsind.com](mailto:steam@richardsind.com)  
URL: [www.bestobellsteamtraps.com](http://www.bestobellsteamtraps.com)

# DTCS210 Series Thermodynamic Disc Trap

## Specifications

**Size:** 1/2"

**End Connections:** Tri-Clamp®

### Materials

- Body: AISI 316L
- Disc Cap: AISI 316L
- Disc: AISI 316L

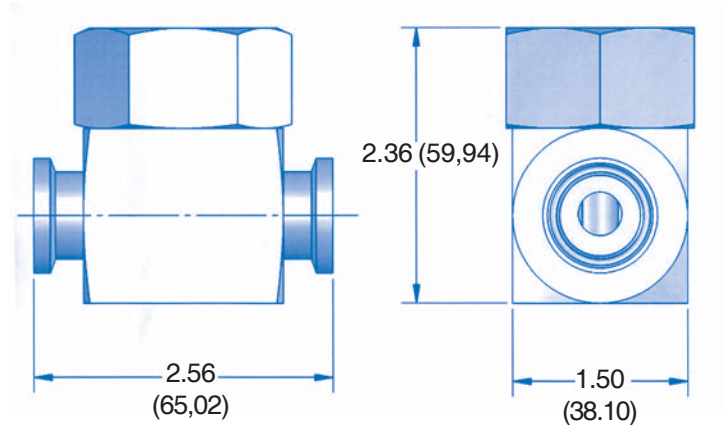
**Pressure Maximum Allowable:** 227 psig (16 kg/cm<sup>2</sup>)

**Temperature Maximum Allowable:** 842°F (450°C)

*Maximum operating backpressure at the outlet should not exceed 80% of the inlet.*

*Minimum differential pressure for satisfactory operation 3.5 psig.*

## Dimensions



## Pressure Ratings

|  | Bar   | 1  | 2   | 3   | 4   | 5   | 6   | 7   | 8   | 9   | 10   | 11   | 12   | 13   | 14   | 15   | 16   |      |
|--|-------|----|-----|-----|-----|-----|-----|-----|-----|-----|------|------|------|------|------|------|------|------|
|  | PSIG  | 14 | 29  | 43  | 58  | 72  | 87  | 101 | 116 | 130 | 145  | 159  | 174  | 188  | 203  | 217  | 232  |      |
|  | KG/HR | 0  | 125 | 200 | 260 | 300 | 340 | 380 | 410 | 440 | 460  | 480  | 500  | 510  | 515  | 520  | 520  | 520  |
|  | PPH   | 0  | 275 | 440 | 572 | 660 | 748 | 836 | 902 | 968 | 1012 | 1056 | 1100 | 1122 | 1133 | 1144 | 1144 | 1144 |

## Installation

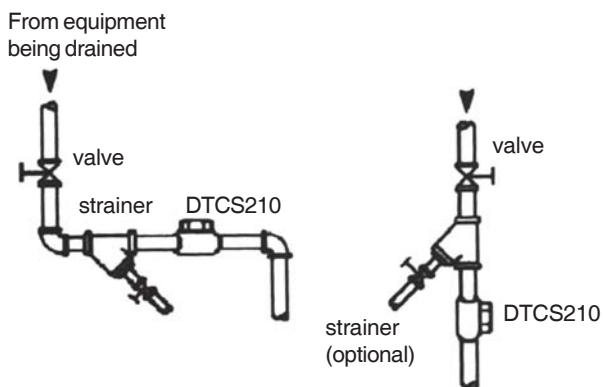
The DTCS210 can be installed in any position, but the preferred installation is in the horizontal plane with the cap on top. Full port isolation valves should be installed upstream and downstream of the trap for safe maintenance. Always open isolation valves slowly until normal operating conditions are achieved to avoid system shocks.

## Preventive Maintenance

The DTCS210 can be maintained without disturbing the piping connections. Ensure that the trap is isolated – upstream and downstream – before attempting to dismantle it. **Allow the trap to cool before dismantling.** Periodic cleaning of the disc and seat will facilitate trouble-free performance. **Do not use abrasives / corrosive media for cleaning.** Only the disc and seat are subject to wear. A worn disc can be replaced and slight seat wear can be corrected by resurfacing on a lap plate.

*For new installations, the system should be properly flushed prior to fitting the trap.*

## Recommended Installation



## How To Order

DTCS210 = 1/2" Tri Clamp™

DTCS310 = 3/4" Tri Clamp™

20Ra sanitary finish = the last digit in model number is the number 4 (for example, DTCS214).

Other sizes available upon request.