



BESTOBELLSTEAM

3170 Wasson Road • Cincinnati, OH 45209 USA
Phone 513-533-5600 • Fax 513-871-0105
steam@richardsind.com • www.bestobellsteamtraps.com

DTCS Series

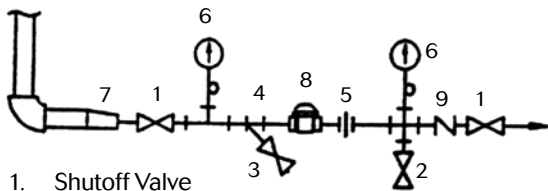
Installation & Maintenance Instructions for Bestobell Steam DTCS Series Traps

Warning: Bestobell Steam products must only be used, installed and repaired in accordance with these Installation & Maintenance Instructions. Observe all applicable public and company codes and regulations. In the event of leakage or other malfunction, call a qualified service person; continued operation may cause system failure or a general hazard. Prior to servicing equipment, disconnect, shut off, drain and/or bypass all pressurized fluids.

Please Read These Instructions

The Bestobell DTCS Series will provide you with long, trouble-free service if it is correctly installed and maintained. A few minutes of your time spent reading these instructions may save hours of trouble and downtime later.

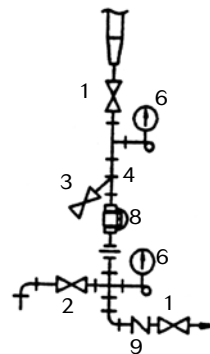
Ideal Installation Schematic



1. Shutoff Valve
2. Test Valve
3. Blowdown Valve
4. Strainer
5. Pipe Union
6. Pressure Gauge (with Snubber)
7. Pipe Eccentric Reducer (if required)
8. Bestobell DTCS Disc Trap
9. Check Valve

5. The piping should be sloped to and from the trap. Use eccentric reducers in horizontal lines to avoid water build-up at the bottom of the pipe.
6. A full-ported shutoff valve upstream is recommended to allow isolation for servicing. A shutoff valve downstream will protect against back flow from the return line during servicing.
7. A strainer should be installed with a blowdown valve immediately upstream of the trap to protect it from grit, scale, and other foreign matter.
8. A single union connection on inlet or outlet is required to allow removal from the line if necessary.
9. A test valve outlet and pressure gauges should be provided to check trap operation where condensate discharge is piped to a return line.

Ideal Installation Schematic

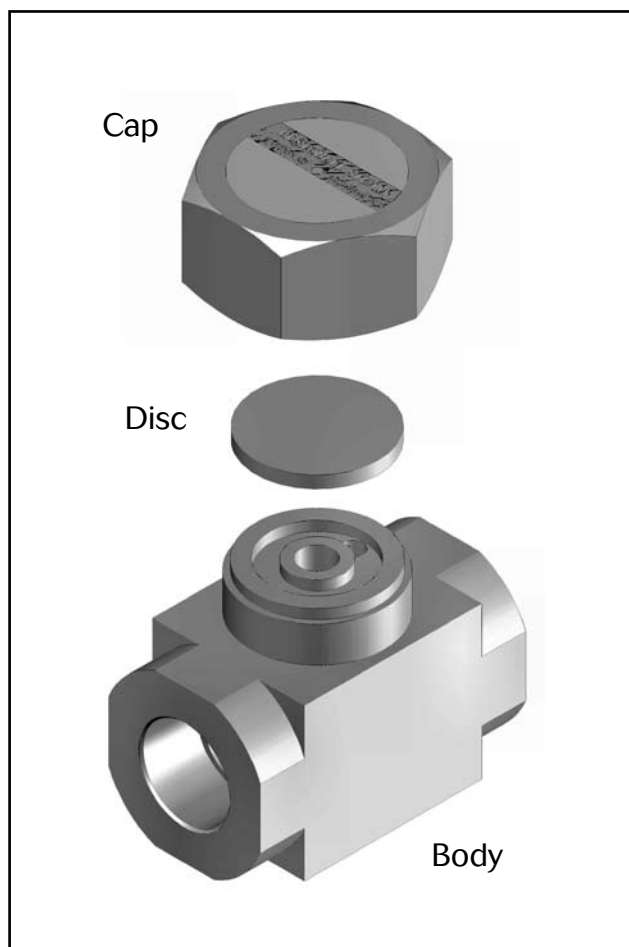


1. Shutoff Valve
2. Test Valve
3. Blowdown Valve
4. Strainer
5. Pipe Union
6. Pressure Gauge (with Snubber)
8. Bestobell DTCS Disc Trap
9. Check Valve

1. To protect the trap from grit, scale, thread chips and other foreign matter, all pipe lines and piping components should be blown out and thoroughly cleaned before the trap is installed.
2. In preparing threaded connections, care should be exercised to prevent pipe sealing compound from getting into pipe lines. Pipe sealing compound should be used sparingly, leaving the two end threads clean. Bestobell uses, and recommends, thread sealer Teflon ribbon.
3. The trap may be installed horizontally or vertically with discharge downward. The preferred installation is in the horizontal position as close as possible to the equipment being drained. Whenever possible, position trap below unit being drained.
4. Piping should be the same size as the trap connection. To avoid excessive back pressure, discharge piping should be the same size on short runs, for longer lines, use one size larger.

10. For freeze protection, trap should be installed vertically with discharge downward, as shown above. Discharge as close to drain connection as practical and discharge to atmosphere directly through a short pipe. A vacuum breaker upstream may be required to provide complete drainage.

Cut-A-Way View



Maintenance

WARNING!

Hot discharge from the trap may cause severe burns. Shut off steam supply and make sure that the trap is cool to touch before repairing or inspecting.

1. The trap can be maintained without disturbing the piping connections. Ensure that the trap is isolated - upstream and downstream - before attempting to dismantle it. **ALLOW THE TRAP TO COOL BEFORE DISMANTLING.**
2. The Bestobell disc trap can be cleaned or repaired by removing the disc and leaving the body in the pipe line.
3. Before loosening the cap, the trap must be isolated from both live stream lines and condensate return lines. Open the blowdown valve to relieve trapped pressure and allow time for the trap to cool.
4. Remove the cap and disc.
5. Dirt and deposits can cause erratic operation. Disc can be removed for inspection, and sealing surfaces can be wiped with a cleaning solvent. Periodic cleaning of the disc and seat will facilitate trouble-free performance. **DO NOT USE ABRASIVES / CORROSIVE MEDIA FOR CLEANING.**
6. If surface is scratched or worn, replace with a new factory-lapped disc. Only the disc and seat are subject to wear. A worn disc can be replaced and slight seat wear can be corrected by resurfacing on a lap plate.
7. Lubricate the cap threads with anti-seize compound. Be careful not to smear anti-seize compound on disc or sealing surfaces.
8. Tighten cap until firmly seated, approximately 15-20 ft/lbs. **DO NOT OVERTIGHTEN.**
9. When reassembling, place disc on valve seat with groove side down.

Ordering Spare Parts

Use only genuine Bestobell parts to keep your DTCS in good working order. Spare discs are available from the factory. When ordering, please provide the following information:

- Part Name/Trap Size
- Quantity