

# Float & Thermostatic Steam Traps

Model: PT

## DOUBLE INLET / DOUBLE OUTLET F & T TRAPS

The PT Series is a group of float & thermostatic traps for use in the discharging of air and condensate, while preventing steam from entering return piping on steam heating systems and steam process equipment. These traps can be piped in and out from either side, providing installation flexibility. Four models are available to meet a variety of pressure requirements.

- **Responsive thermostatic action:** disc design reduces hinge action to evenly distribute disc motion for enhanced sensitivity to pressure and temperature conditions
- **Instantaneous valve action** – highly engineered positioning of flat valve responds rapidly to prevent steam from entering piping
- **Continuous condensate discharge** – float-operated discharge valve opens wide to continuously drain condensate
- **Easy in-line inspection and repair** – all working parts can be inspected, removed, repaired or replaced without disturbing the piping. Removable flush plug on the bottom of the trap permits easy cleaning



## ORDERING SCHEMATIC

MODEL		2	3	4	5
P	T				

2	3	4	MAXIMUM DIFF. PRESSURE
0	1	5	15 psid
0	3	0	30 psid
0	7	5	75 psid
1	2	5	125 psid

5	SIZE
3	3/4"
4	1"
5	1-1/4"
6	1-1/2"
7	2"



**BESTOBELLSTEAM**

A Division of  
Richards Industries  
3170 Wasson Road  
Cincinnati, OH 45209

toll free. 800.543.7311  
local. 513.533.5600  
fax. 513.871.0105

steam@richardsind.com  
www.bestobellsteamtraps.com

**DOUBLE INLET / DOUBLE OUTLET F & T TRAPS**
**SPECIFICATIONS**

Maximum Differential Pressure:

Model PT015 – 15 psi (1,03 bar)

Model PT030 – 30 psi (2,07 bar)

Model PT075 – 75 psi (5,17 bar)

Model PT125 – 125 psi (8,62 bar)

Line Sizes: 3/4", 1", 1-1/4", 1-1/2", 2"

End Connections: Threaded (FNPT); Flanged

Maximum Allowable Pressure: 250 psig (17,2 bar)

Maximum Allowable Temperature: 400°F (204°C)

**MATERIALS**

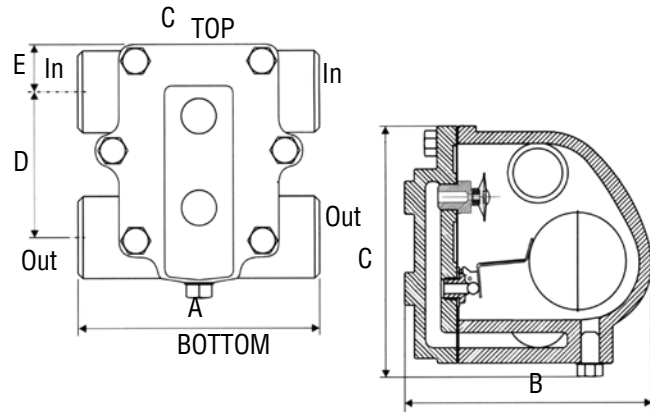
Body &amp; Cap: Cast Iron

Thermostatic Disc: Stainless Steel

Valve &amp; Seat: Stainless Steel

Float &amp; Lever: Stainless Steel

Gasket: Non-asbestos fiber

**DIMENSIONS**


Size	Dimensions (inches)					Wt, lbs
	A	B	C	D	E	
3/4"	5.75	6.00	6.00	3.00	1.13	12
1"	5.75	6.00	6.00	3.00	1.13	12
1-1/4"	5.75	6.00	6.00	3.00	1.13	13
1-1/2"	7.5	8.0	8.20	4.0	2.55	24
2"	7.5	8.0	8.20	4.0	2.55	24

**CAPACITY CHARTS: LBS/HR (KG/HR)**

	Model	PT015			PT030			PT075			PT125		
	Size	3/4", 1"	1-1/4"	1-1/2", 2"	3/4", 1"	1-1/4"	1-1/2", 2"	3/4", 1"	1-1/4"	1-1/2", 2"	3/4", 1"	1-1/4"	1-1/2", 2"
Pressure Differential, PSI (Kg/cm <sup>2</sup> )	Orifice in (mm)	0.253 (6.4)	0.312 (7.9)	0.625 (15.9)	0.188 (4.8)	0.253 (6.4)	0.500 (12.7)	0.141 (3.6)	0.219 (5.6)	0.312 (7.9)	0.109 (2.8)	0.188 (4.8)	0.250 (6.4)
	0.25	385	430	2275	265	385	1300	240	295	535	225	265	380
	(0.02)	(175)	(195)	(1032)	(120)	(175)	(590)	(109)	(134)	(243)	(102)	(120)	(172)
	0.50	490	570	2775	330	490	1780	300	375	720	285	330	510
	(0.02)	(222)	(259)	(1259)	(150)	(222)	(807)	(136)	(170)	(327)	(129)	(150)	(231)
	1	670	770	3625	465	670	2550	420	510	970	350	465	675
	(0.04)	(304)	(349)	(1644)	(211)	(304)	(1157)	(191)	(231)	(440)	(159)	(211)	(306)
	2	905	1025	4625	625	905	3400	505	685	1300	385	625	880
	(0.07)	(411)	(465)	(2098)	(283)	(411)	(1542)	(229)	(311)	(590)	(175)	(283)	(399)
	5	1075	1880	6900	900	1075	5180	630	1010	1910	455	900	1310
	(0.14)	(488)	(853)	(3130)	(408)	(488)	(2350)	(286)	(458)	(866)	(206)	(408)	(594)
	10	1450	2780	9050	1050	1450	6815	725	1310	2660	500	1050	1700
	(0.35)	(658)	(1261)	(4105)	(476)	(658)	(3091)	(329)	(594)	(1207)	(227)	(476)	(771)
	15	1650	3005	10875	1235	1650	7800	820	1450	3050	535	1235	2065
	(0.70)	(748)	(1363)	(4933)	(560)	(748)	(3538)	(372)	(658)	(1383)	(243)	(560)	(937)
	20				1425	1850	8550	905	1565	3400	600	1425	2315
	(1.40)				(646)	(839)	(3878)	(411)	(710)	(1542)	(272)	(646)	(1050)
	25				1540	2350	9270	980	1620	3700	650	1540	2515
	(1.75)				(699)	(1066)	(4205)	(445)	(735)	(1678)	(295)	(699)	(1141)
	30				1650	2700	9990	1020	1675	4000	720	1650	2710
(2.10)				(748)	(1225)	(4531)	(463)	(760)	(1814)	(327)	(748)	(1229)	
40							1190	1950	4390	850	1900	3035	
(2.80)							(540)	(885)	(1991)	(386)	(862)	(1377)	
50							1345	2205	4750	1010	2115	3225	
(3.50)							(610)	(1000)	(2155)	(458)	(959)	(1463)	
60							1480	2290	5085	1100	2175	3505	
(4.20)							(671)	(1039)	(2307)	(499)	(987)	(1590)	
75							1645	2500	5420	1275	2385	3790	
(5.25)							(746)	(1134)	(2458)	(578)	(1082)	(1719)	
90										1400	2470	3965	
(6.35)										(635)	(1120)	(1798)	
100										1505	2680	4200	
(7.00)										(683)	(1216)	(1905)	
125										1640	2830	4480	
(8.50)										(744)	(1284)	(2032)	

**Out of Operating Range**

Note: capacities are continuous discharge capacities in pounds of condensate per hour (kg/hr shown in ( )) at pressure differential indicated, determined by tests conducted according to ASME Performance Test Code 39.1-1980. Apply safety factor as required per application. Condensate within 5°F (-15°C) of steam temperature.